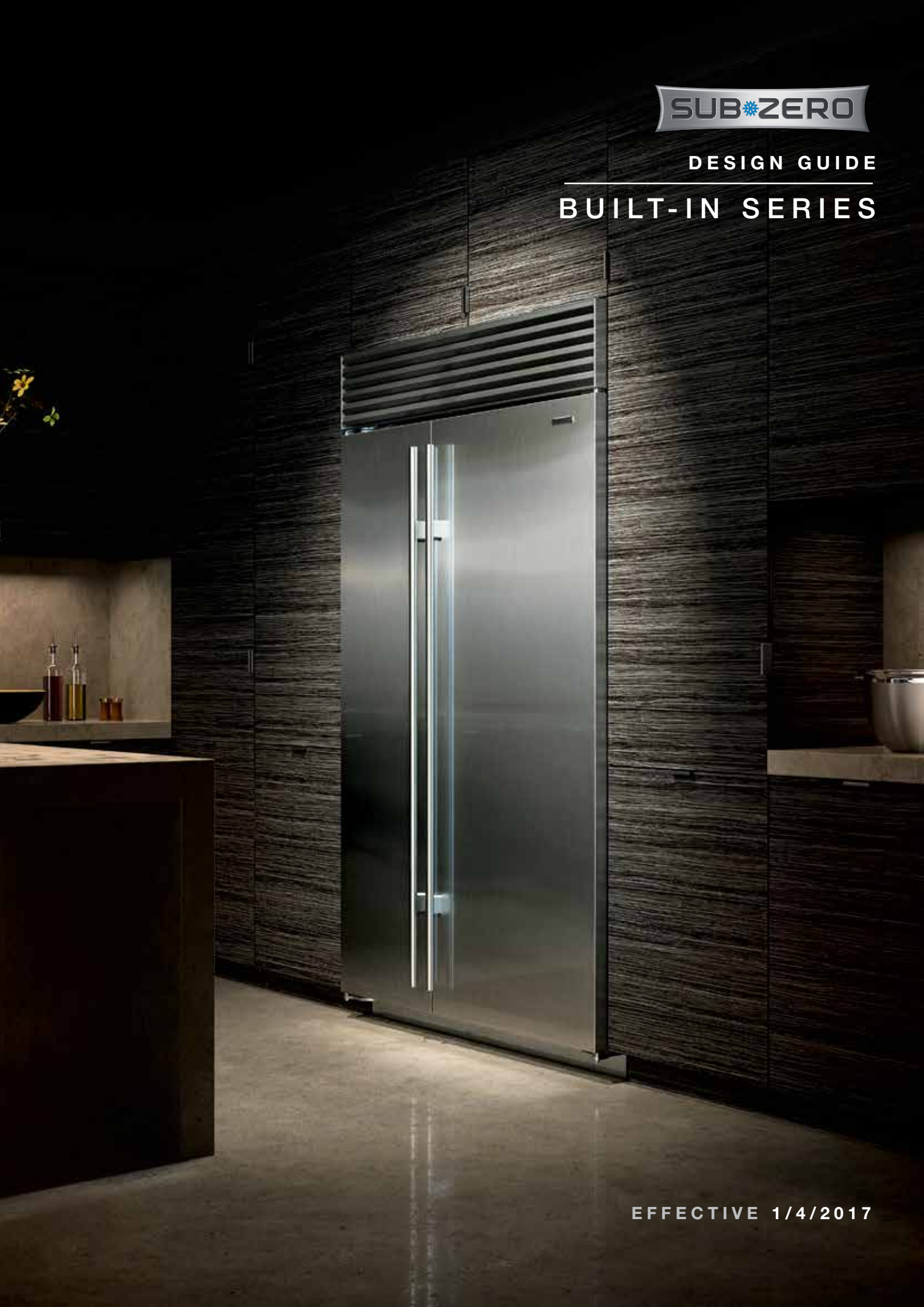


**SUB<sup>®</sup>ZERO**

DESIGN GUIDE

---

**BUILT-IN SERIES**



EFFECTIVE 1/4/2017

## TABLE OF CONTENTS

---

3	BUILT-IN REFRIGERATION
8	STANDARD INSTALLATION



Features and specifications are subject to change at any time without notice.

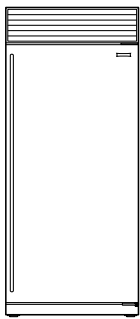
Throughout this guide, dimensions may vary by  $\pm 3$  mm.

## BUILT-IN REFRIGERATION

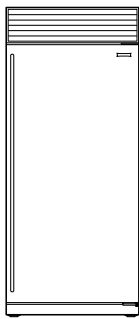
### Built-In Refrigeration

Sub-Zero designers and engineers continue to perfect the built-in line. The addition of LED lighting throughout and several new models with internal water dispensers, along with the same advanced food preservation technology Sub-Zero is known for, make the built-in line nothing short of revolutionary.

### BUILT-IN MODELS



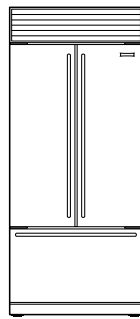
ICBBI-36R



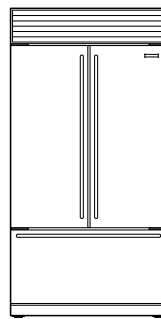
ICBBI-36F



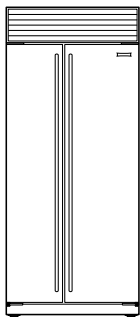
ICBBI-36UID



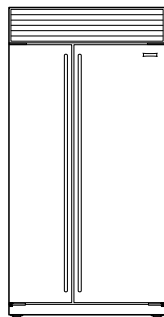
ICBBI-36UFDID



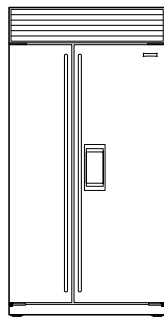
ICBBI-42UFDID



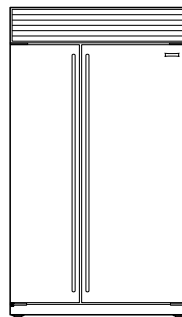
ICBBI-36S



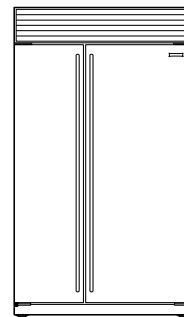
ICBBI-42S



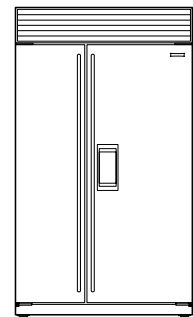
ICBBI-42SD



ICBBI-48S



ICBBI-48SID

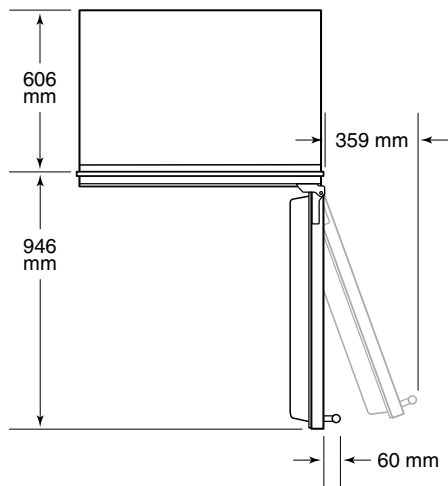
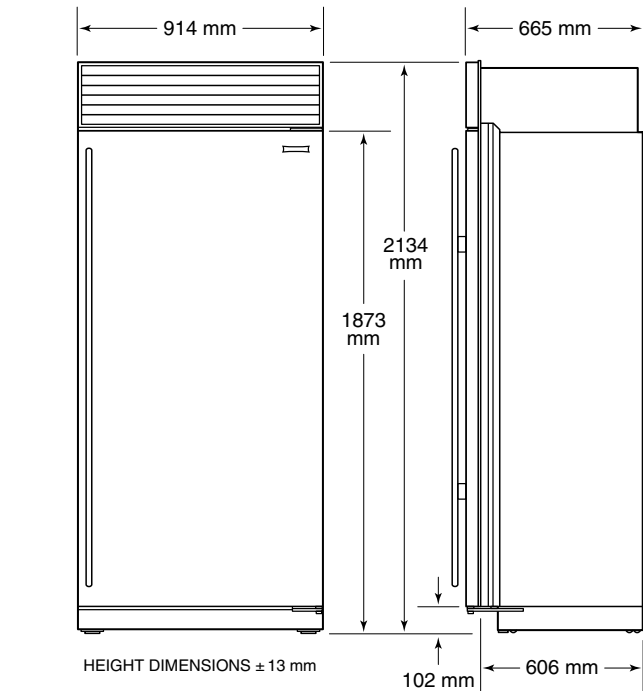


ICBBI-48SD

# BUILT-IN REFRIGERATION

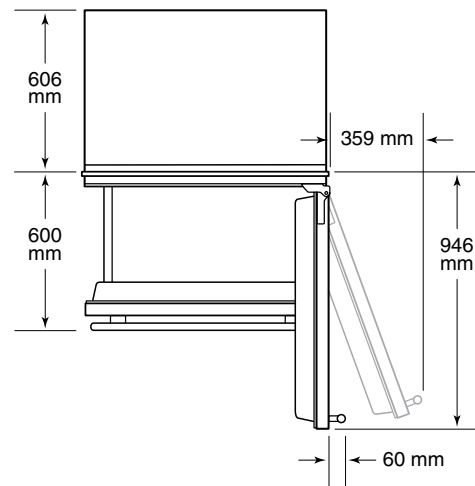
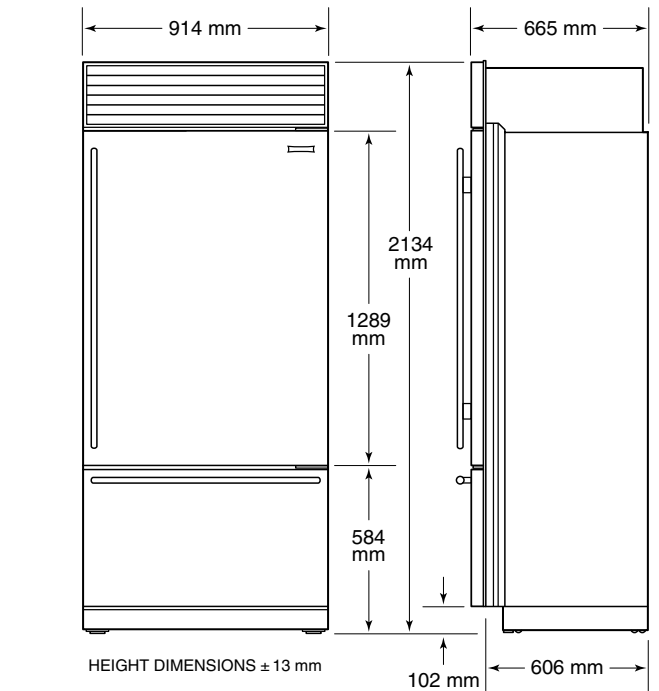
## Overall Dimensions

### ALL REFRIGERATOR | ALL FREEZER



Model ICBBI-36R, ICBBI-36F.

### OVER-AND-UNDER



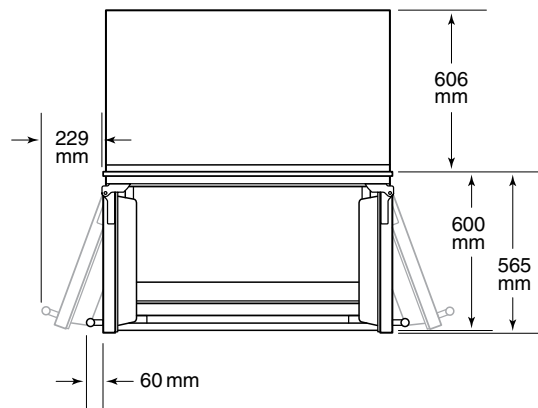
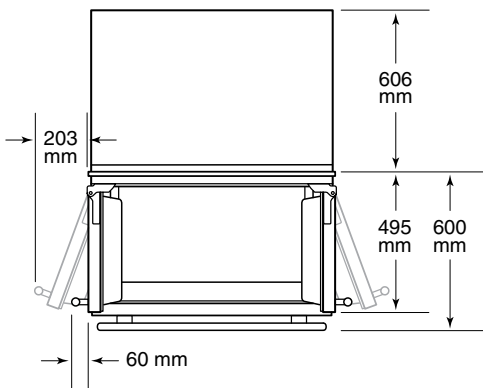
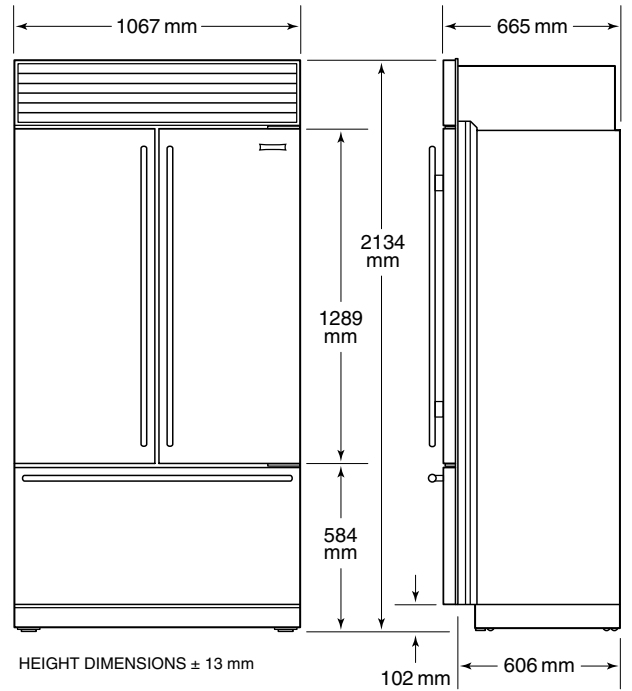
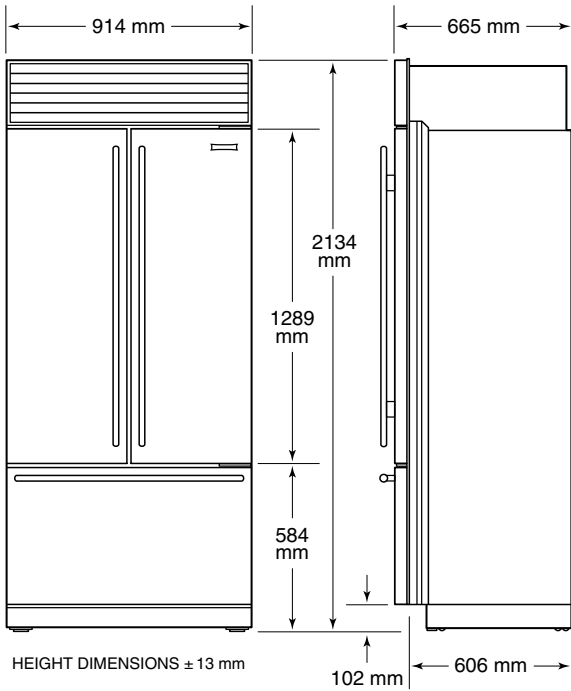
Model ICBBI-36UID.

Overall dimensions are based on stainless steel models.  
 If the stainless steel refrigerator is to be flush installed  
 please see the Stainless steel flush inset Design guide for  
 correct requirements

# BUILT-IN REFRIGERATION

## Overall Dimensions

### OVER-AND-UNDER



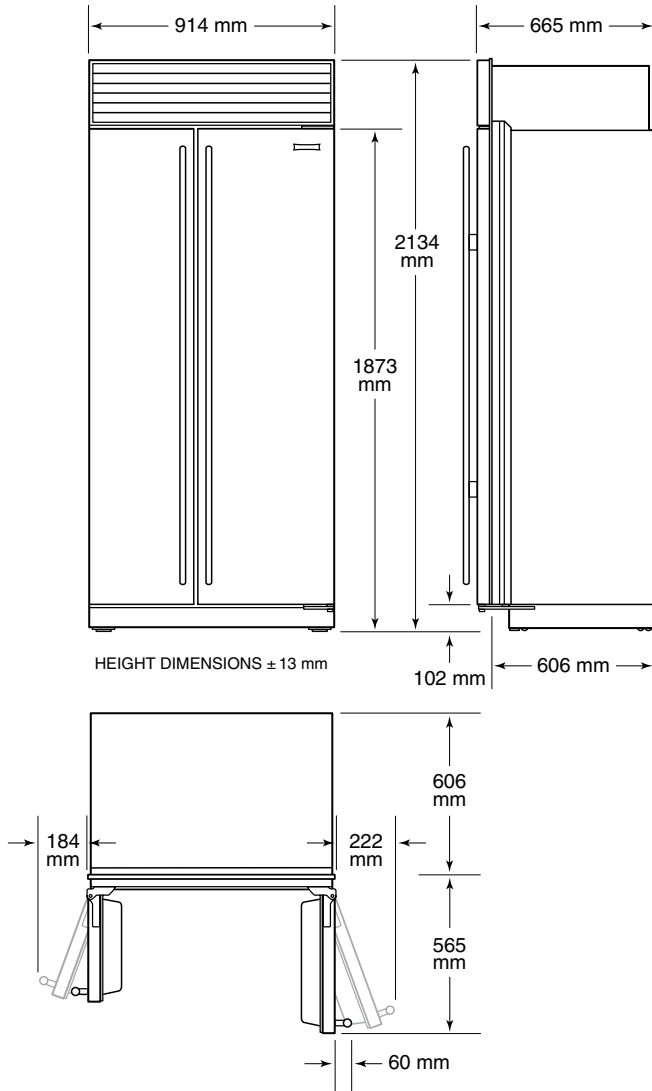
Model ICBBI-36UFDID.

Model ICBBI-42UFDID.

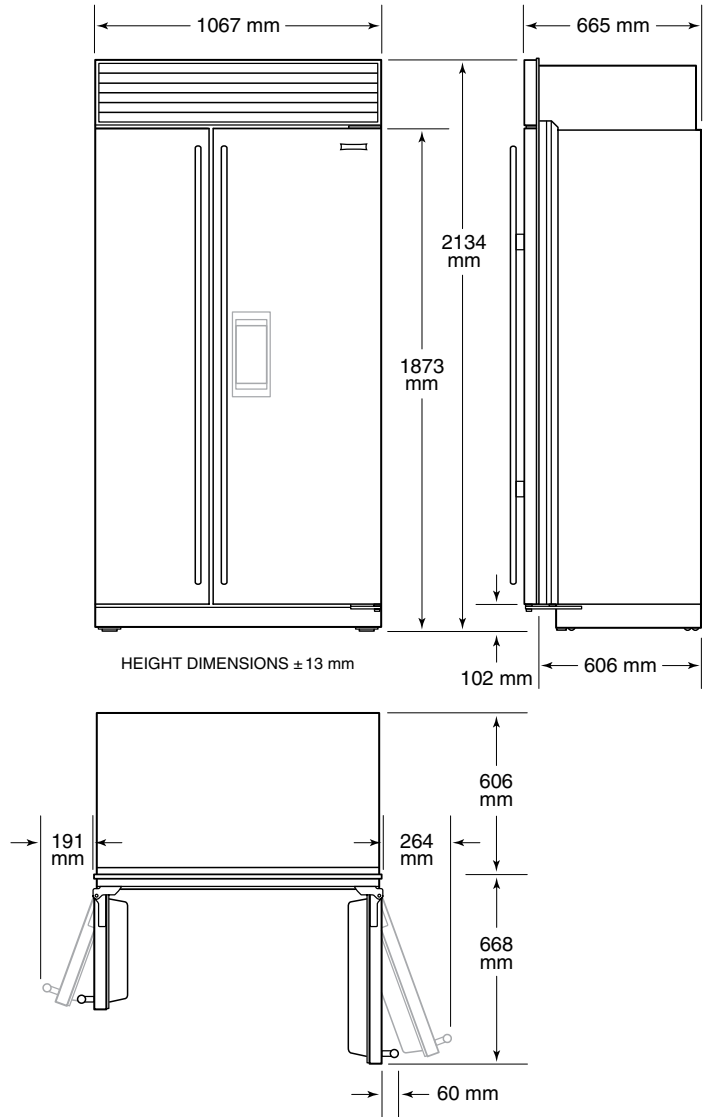
# BUILT-IN REFRIGERATION

## Overall Dimensions

### SIDE-BY-SIDE



Model ICBBI-36S.

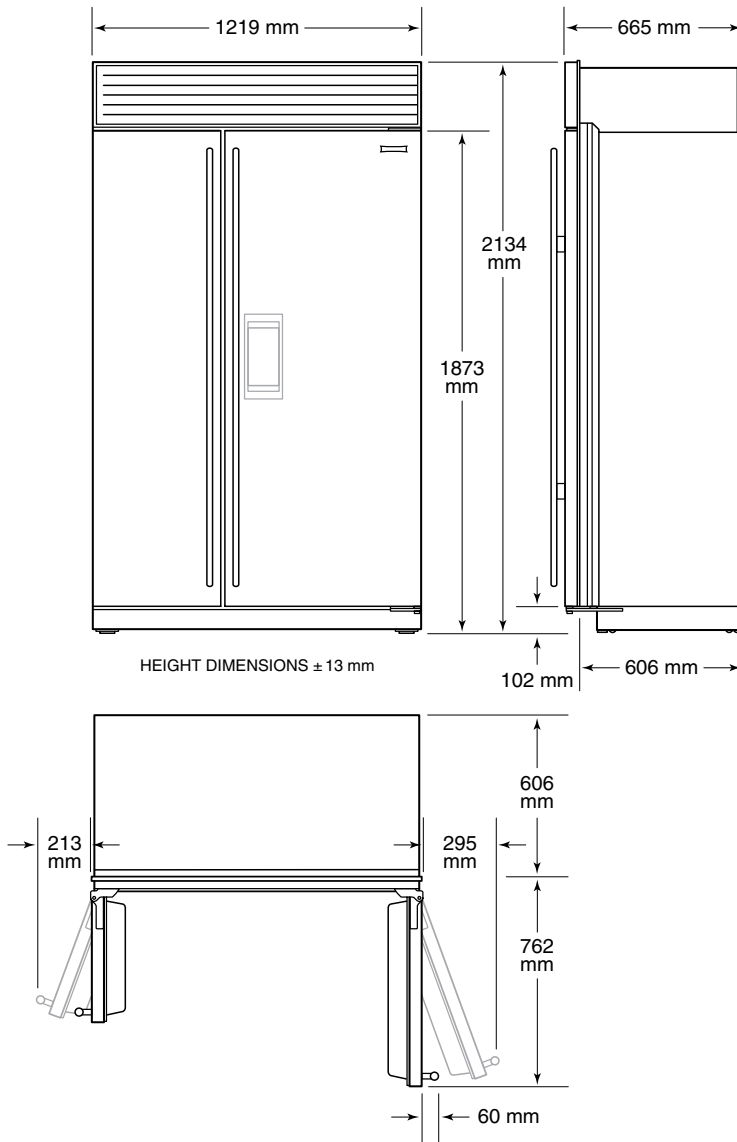


Model ICBBI-42S, ICBBI-42SD.

# BUILT-IN REFRIGERATION

## Overall Dimensions

### SIDE-BY-SIDE



Model ICBBI-48S, ICBBI-48SID, ICBBI-48SD.

## Specifications

### INTERIOR CAPACITY

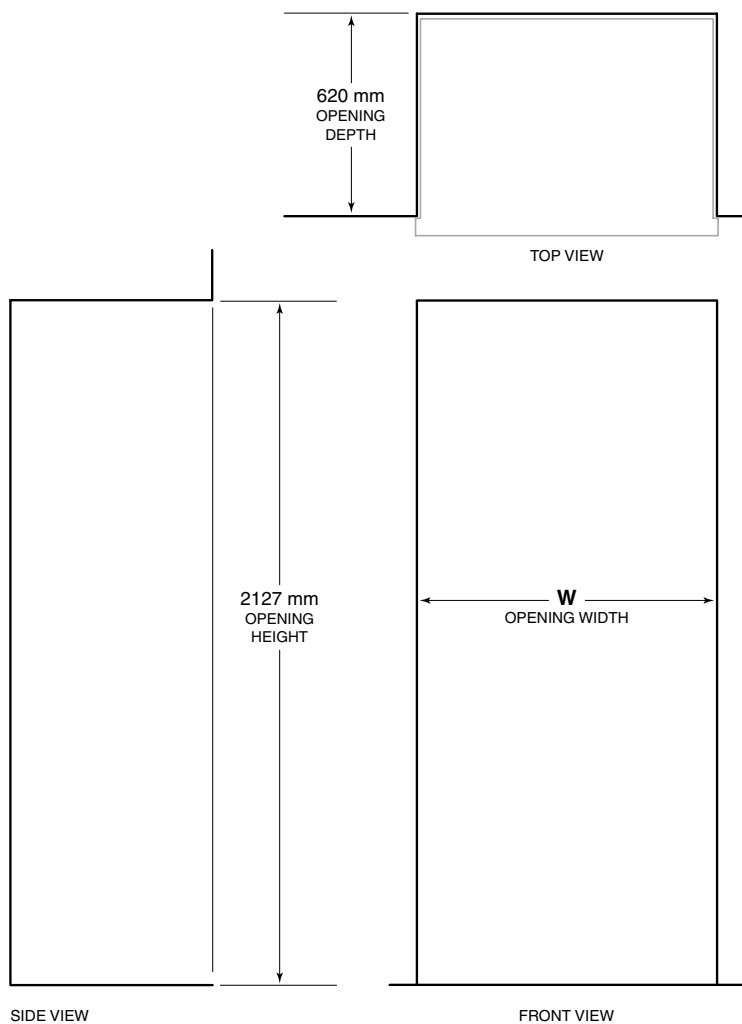
ALL REFRIGERATOR   ALL FREEZER	R (L)*	F (L)*
ICBBI-36R	613	
ICBBI-36F		612
OVER-AND-UNDER	R (L)	F (L)
ICBBI-36UID	367	143
ICBBI-36UFDID	357	144
ICBBI-42UFDID	420	220
SIDE-BY-SIDE	R (L)	F (L)
ICBBI-36S	328	225
ICBBI-42S	430	220
ICBBI-42SD	408	194
ICBBI-48S	500	264
ICBBI-48SID	491	244
ICBBI-48SD	478	244

\*Useable volume based on ISO 15502

# BUILT-IN REFRIGERATION

## Opening Dimensions

### STANDARD INSTALLATION



NOTE: Shaded line represents profile of unit.

OPENING WIDTH	W
ICBBI-36R, ICBBI-36F	902 mm
ICBBI-36UID, ICBBI-36UFDID, ICBBI-36S	902 mm
ICBBI-42UFDID, ICBBI-42S, ICBBI-42SD	1054 mm
ICBBI-48S, ICBBI-48SID, ICBBI-48SD	1206 mm

If two units are installed side by side, refer to page 9 for dual standard installations.

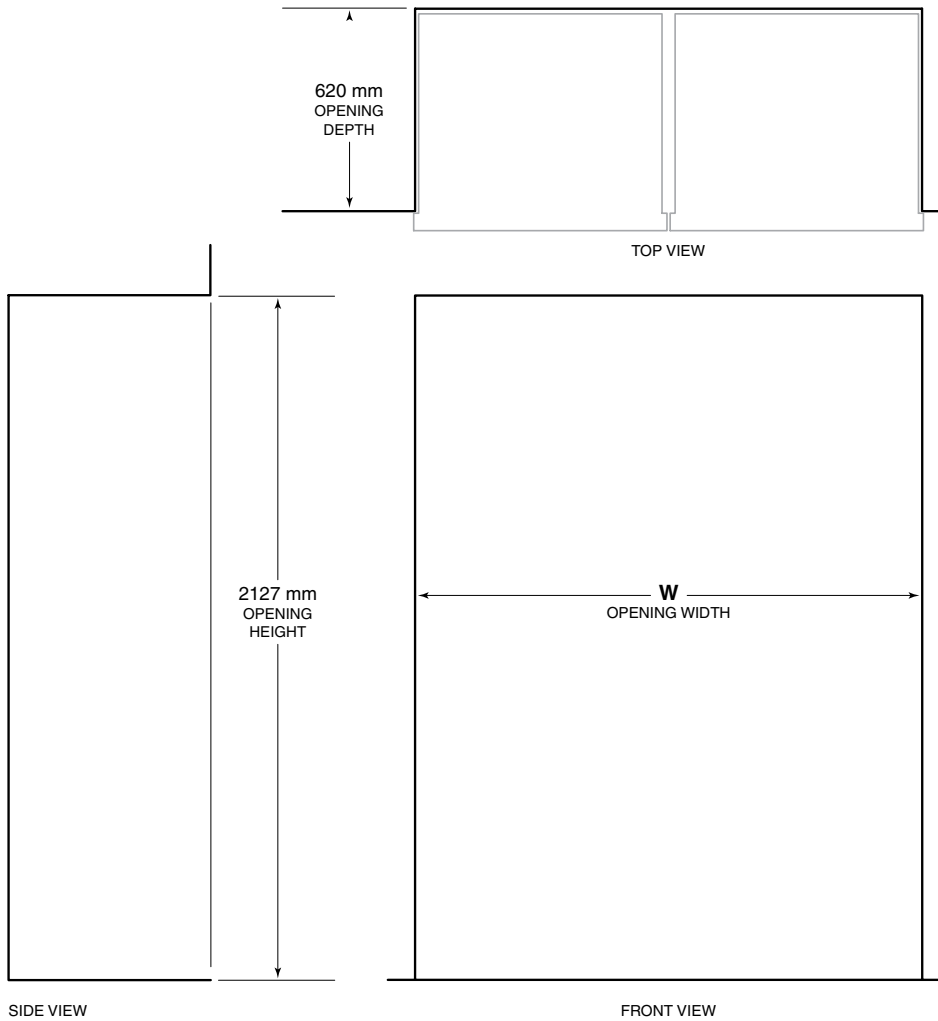
Side-by-side and French door models can not be dual installed with a dual installation kit or any other model. A 51mm filler strip must be used.



# BUILT-IN REFRIGERATION

## Opening Dimensions

### DUAL STANDARD INSTALLATION



NOTE: Shaded line represents profile of unit.

OPENING WIDTH	W
Two 914 mm Models	1822 mm

A dual installation kit will be required for this installation in a handle to handle installation. Where a dual installation kit is not used or the installation is a handle to hinge or hinge to hinge installation, a 51mm spacer panel is needed between the refrigerators.

## BUILT-IN REFRIGERATION

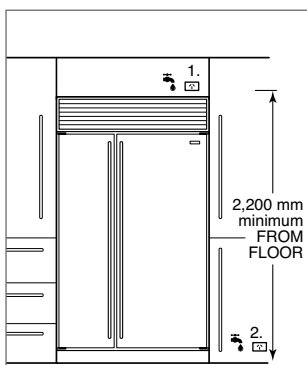
### Planning information

#### ELECTRICAL REQUIREMENTS

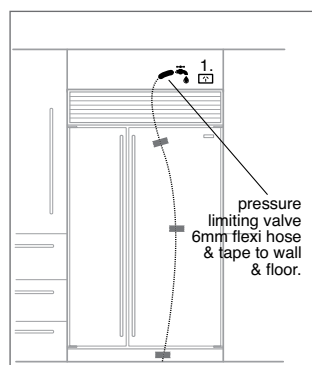
International models from the factory designed without a transformer require a 220-240 V AC, 50/60 Hz electrical supply, fused at the correct rating for the unit. If required by local or national codes, the power cord can be easily replaced using the power inlet device.

Built-in models should have the electrical supply either in the cabinet above the refrigerator a MINIMUM OF 2200MM ABOVE THE FLOOR or in the cabinet alongside. If freestanding then locate the power point as per the diagram below. A separate circuit servicing only this appliance is required. A ground fault circuit interrupter (GFCI) is not recommended and may cause interruption of operation.

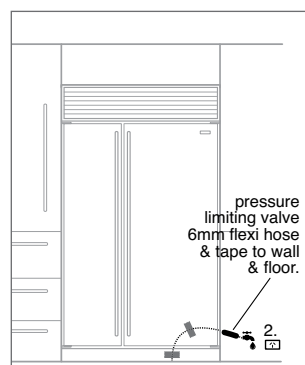
Electrical Requirements	
Power Supply	220-240 V AC, 50/60 Hz
Circuit Breaker	10 amp
Receptacle	3-prong grounding-type



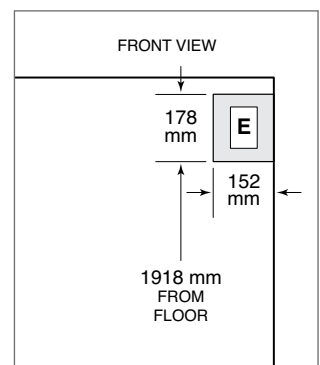
Built in. Alternative location of power & water supply depending on ease of access.



1. Built in. Water supply above fridge. Location of 6mm flexible hose. Tape to wall and floor with pressure limiting valve next to tap.



2. Built in. Water supply beside fridge. Location of 6mm flexible hose. Tape to wall and floor with pressure limiting valve next to tap.



Freestanding location of power supply.

#### PLUMBING REQUIREMENTS

For built-in models with an automatic ice maker, a pressure limiting valve and 5 meters of flexible 6mm pipe with fittings is included in the refrigerator carton. Connect the pressure limiting valve close to the water tap, **CHECKING THE WATER FLOW IS IN THE RIGHT DIRECTION. Ensure water connection is ½" BSP male threaded outlet. Fix the 6mm water line to the wall and floor to ensure it isn't squashed when the refrigerator is pushed into the cavity.** Locate the water tap either in the cabinet above a minimum of 2200mm from the floor, or in the cabinet alongside.

The water line must not interfere with installation of the anti-tip brackets.

**IMPORTANT NOTE:** A reverse osmosis system can be used provided there is constant water pressure of 2.1 bar to 6.9 bar supplied to the unit at all times.

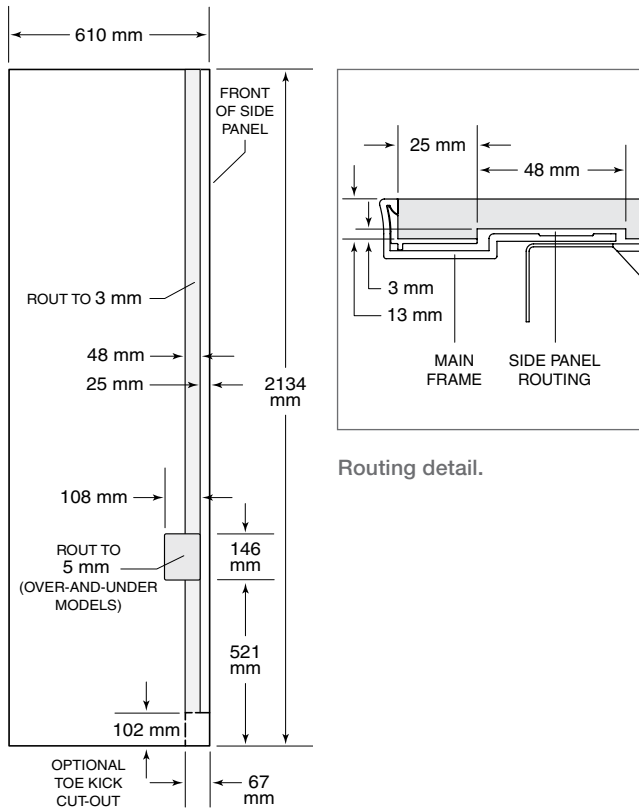
Plumbing Requirements	
Water Supply Line	6mm plastic line
Water Pressure	2.1-6.9 bar
Water line for Connection	5m

## BUILT-IN REFRIGERATION

### Side Panel

The custom side panels must be a minimum of 610 mm deep and 13 mm thick. Routing will be necessary for the side panel to fit flush against the side of the unit. Refer to the illustrations below.

When installing a built-in unit with a custom side panel, an accessory kit is required. Stainless steel and white enamel side panels are available through an authorized Sub-Zero dealer.



Side panel dimensions.

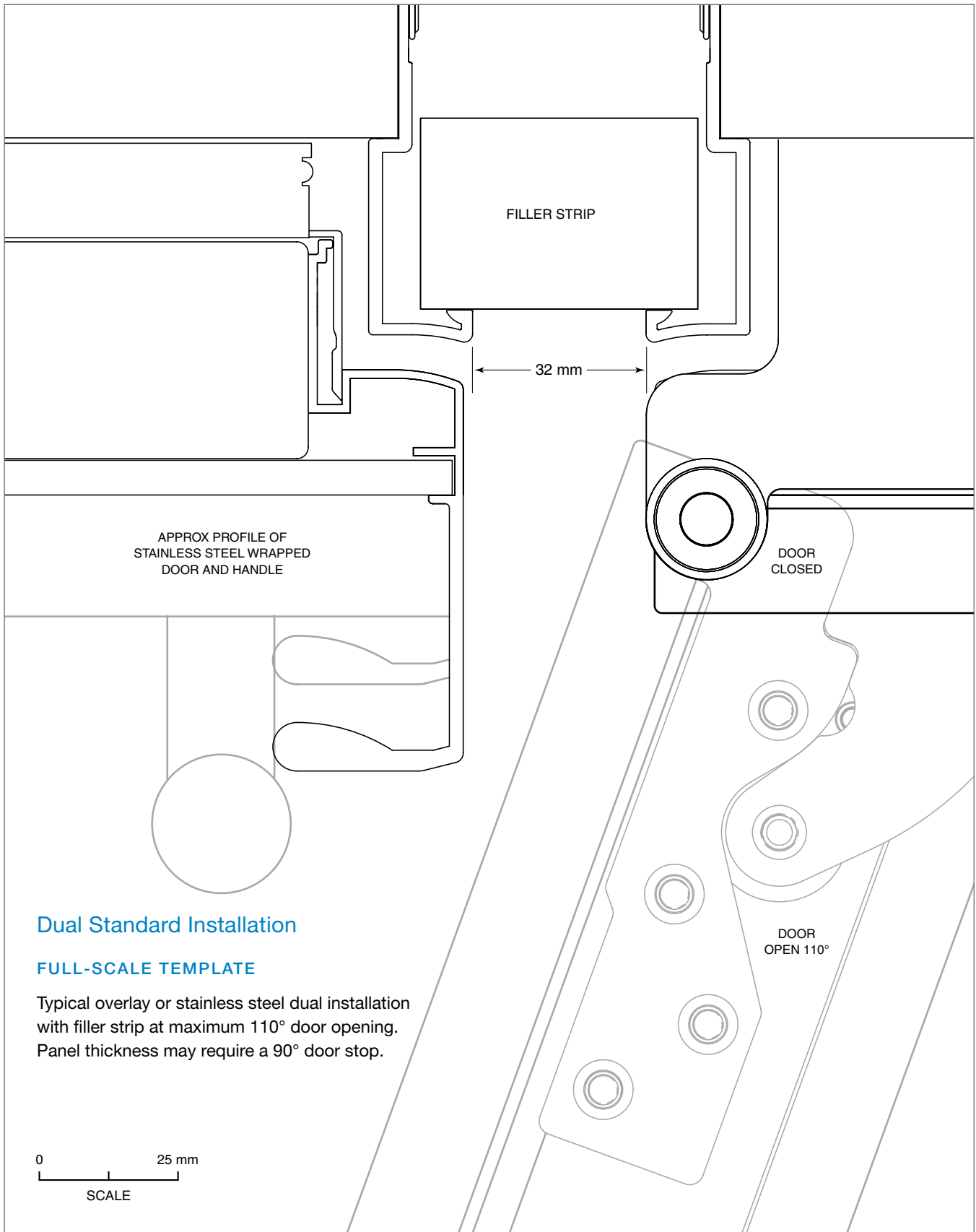
### Standard Handles

Optional stainless steel tubular and pro handles are available through an authorized Sub-Zero dealer.

Refer to the chart below for standard handle lengths for built-in models.

HANDLE LENGTH	TUBULAR	PRO
Full Door	1622 mm	1147 mm
Over-and-Under Door	1124 mm	952 mm
914 mm Drawer	770 mm	600 mm
1067 mm Drawer	922 mm	753 mm

## BUILT-IN REFRIGERATION



Dual standard installation (top view).

## Sub-Zero International Limited Warranty

FOR RESIDENTIAL USE

### FULL TWO YEAR WARRANTY\*

For two years from the date of original installation, this Sub-Zero product warranty covers all parts and labor to repair or replace, under normal residential use, any part of the product that proves to be defective in materials or workmanship. All service provided by Sub-Zero under the above warranty must be performed by Sub-Zero factory certified service, unless otherwise specified by Sub-Zero, Inc. Service will be provided during normal business hours.

### FULL FIVE YEAR SEALED SYSTEM WARRANTY

For five years from the date of original installation, this Sub-Zero product warranty covers all parts and labor to repair or replace, under normal residential use, these parts that prove to be defective in materials or workmanship: compressor, condenser, evaporator, drier and all connecting tubing. All service provided by Sub-Zero under the above warranty must be performed by Sub-Zero factory certified service, unless otherwise specified by Sub-Zero, Inc. Service will be provided during normal business hours.

For more information regarding your Sub-Zero product warranty, contact your authorized Sub-Zero dealer. Warranties must comply to all country, state, city, local and or ordinance.

\*Stainless steel (doors, panels, handles, product frames and interior surfaces) are covered by a limited 60-day parts and labor warranty for cosmetic defects.

\*Replacement water filters and air purification cartridges are not covered by the product warranty.



Sub-Zero, Sub-Zero & Design, Sub-Zero & Snowflake Design, Dual Refrigeration, The Living Kitchen, Great American Kitchens The Fine Art of Kitchen Design, Wolf, Wolf & Design, Wolf Gourmet, W & Design, red colored knobs, Cove, and Cove & Design, are registered trademarks and service marks of Sub-Zero Group, Inc. and its subsidiaries. All other trademarks are property of their respective owners in the United States and other countries.



SUB-ZERO GROUP AUSTRALIA PTY LTD

Bank House, 11 – 19 Bank Place.  
Melbourne Victoria Australia 3000  
Telephone 03 9600 2218

[enquiries@subzero.com](mailto:enquiries@subzero.com)



[SUBZERO-WOLF.COM.AU](http://SUBZERO-WOLF.COM.AU)